



Just when you thought they couldn't get any better!

Flexcon's standard composite well tanks are already top of the line. ProLite SS takes them one step further by increasing their maximum working pressure to 150 psi and adding a stainless steel elbow. Combined with Flexcon's patented, silver-ion-infused, anti-microbial CAD-2

diaphragm design inside, they're better than ever! If your customers demand the ultimate well tank, go with proven Flexcon performance.

ProLite SS, it just doesn't get any better than this!



Injection molded domes for precise, uniform wall thickness and consistently engineered dome profiles.

High tech spin welding process permanently fuses injection molded domes to the extruded cylinder.

150 *psi*, fiber wound composite shell sealed from the environment with weather resistant epoxy resin. Suitable for underground installation.

CAD-2 CAD-2 diaphragm technology: strong, 100% butyl diaphragm and copolymer polypropylene lower water chamber for maximum water and air separation.



Every Flexcon CAD-2 tank has a silver-ion-infused anti-microbial liner to help eliminate possible water born health hazards.

Tough as nails, noncorrosive, all stainless steel water connection.

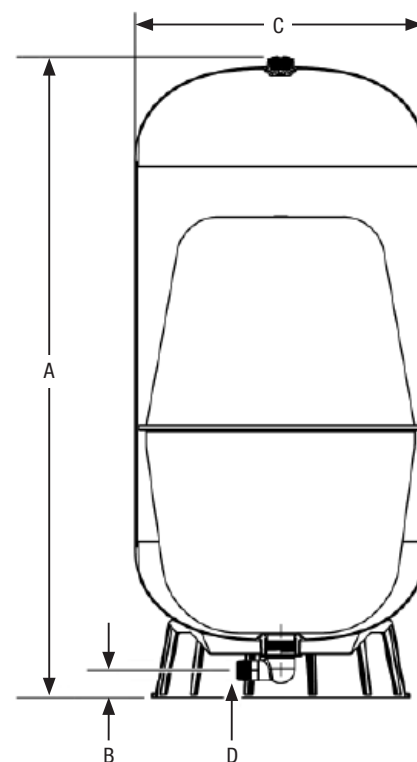
Rugged base engineered to withstand maximum loads and extreme environmental conditions.





H2PL SERIES

Composite



MATERIALS OF CONSTRUCTION

- **Top and bottom domes:** Injection molded copolymer polypropylene
- **Shell:** Extruded copolymer polypropylene
- **Outer shell:** Fiberglass-wound, coated with epoxy resin
- **Water chambers:** Top diaphragm is 100% butyl rubber, lower water chamber is anti-microbial, copolymer polypropylene
- **Base:** Copolymer polypropylene
- **Connection:** Stainless steel
- **Air valve:** Easy to access brass valve with o-ring seal
- **Testing:** High pressure, seam weld, helium, final precharge check
- **Warranty:** 5 year limited

COMPOSITE TANK DIMENSIONS

Model	Total Tank Volume		A Height		B Floor to CL		C Diameter		D Connection	Total Weight	
	gal	liters	in	cm	in	cm	in	cm		lbs	kilos
CSS 15	15	56.8	25.60	65.0	1.75	4.4	16.5	41.9	1" NPT	19.0	8.6
CSS 22	22	83.3	34.10	87.0	1.75	4.4	16.5	41.9	1" NPT	24.0	10.9
CSS 35	35	132.5	48.90	124.2	1.75	4.4	16.5	41.9	1" NPT	33.5	15.2
CSS 50	50	189.3	43.30	110.0	2.25	5.7	21.4	54.4	1 1/4" NPT	47.0	21.3
CSS 65	65	246.0	51.30	130.3	2.25	5.7	21.4	54.4	1 1/4" NPT	58.0	26.3
CSS 82	82	310.4	64.70	164.3	2.25	5.7	21.4	54.4	1 1/4" NPT	69.5	31.5
CSS 90	90	340.7	57.00	145.0	2.25	5.7	24.2	61.5	1 1/4" NPT	77.0	34.9
CSS 120	119	450.4	72.10	183.1	2.25	5.7	24.2	61.5	1 1/4" NPT	99.5	45.1

Maximum working pressure 150 psig. Maximum working temperature, internal & external 120° F. Tank pre-charge 38 psig.

QUICK SIZING CHART

Model	Total Tank Volume		Total Drawdown*					
	gal	liters	20/40		30/50		40/60	
	gal	liters	gal	liters	gal	liters	gal	liters
CSS 15	15	56.8	6.00	24.1	5.1	20.4	4.4	17.7
CSS 22	22	83.3	8.80	32.2	7.5	27.2	6.5	23.6
CSS 35	35	132.5	14.10	52.3	11.9	44.2	10.3	38.3
CSS 50	50	189.3	20.10	76.4	17.0	64.6	14.7	56.0
CSS 65	65	246.0	26.10	100.5	22.1	85.0	19.1	73.6
CSS 82	82	310.4	33.00	120.7	27.9	102.0	24.1	88.4
CSS 90	90	340.7	36.20	136.7	30.6	115.6	26.5	100.1
CSS 120	119	450.4	47.90	181.0	40.5	153.0	35.0	132.5

*Total drawdown assumes tank pre-charge set at 2 psi below cut-in pressure. Drawdown can be affected by many factors, including temperature, pressure, and elevation.

