



**SUBMITTAL**

**SXHT-SERIES  
HYDRONIC EXPANSION TANKS**

**Models:** SXHT 35-CR thru SXHT 800L-CR

**Submittal Sheet No.** \_\_\_\_\_

Date: 5/18

Job Name _____	Submitted By _____	Date _____
Location _____	Approved By _____	Date _____
_____	Order No. _____	Date _____
Engineer _____	Notes _____	
Contractor _____	_____	
Sales Rep. _____	_____	

**Description**

Flexcon SXHT-CR Tanks are ASME removable bladder type pre-charged expansion tanks. They are designed to absorb the expansion forces and control the pressure in heating/cooling systems. The system's expanded water (fully compatible with water/glycol mixtures) is contained in a full acceptance heavy-duty butyl bladder that prevents tank corrosion and waterlogging problems. All SXHT-CR expansion tanks can be installed vertically or horizontally.

**Construction**

Shell: Carbon Steel  
 Heads: Carbon Steel  
 Exterior: Red Oxide Primer  
 Bladder: Heavy Duty Butyl

**Performance Limitations**

Maximum Design Pressure: 125 PSIG  
 Temperature Range: -20°F to 240°F

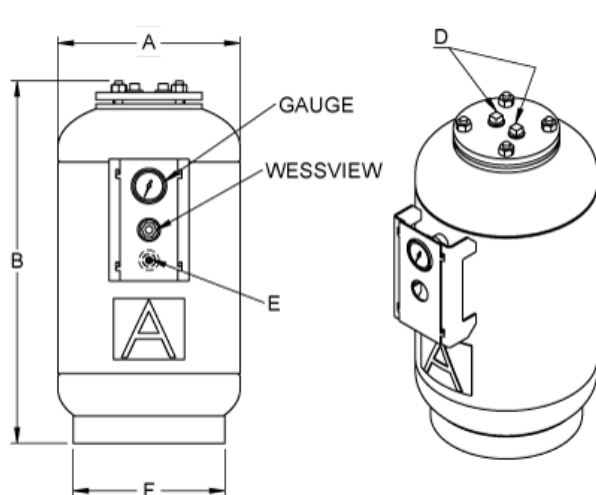
\*150, 200 & 250 PSIG available

Model Number	Tank Volume (Gallons)	Tagging Information	Quantity
SXHT 35-CR	10		
SXHT 50-CR	13		
SXHT 85-CR	23		
SXHT 130-CR	35		
SXHT 200-CR	53		
SXHT 300-CR	79		
SXHT 400-CR	106		
SXHT 500-CR	132		
SXHT 600-CR	158		
SXHT 800L-CR	211		

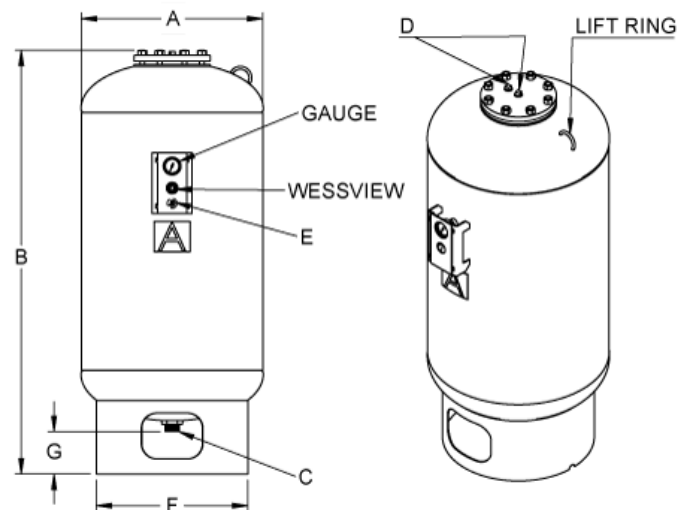
**Typical Specification**

Furnish and install, as shown on plans, a \_\_\_\_\_ gallon \_\_\_\_\_" diameter X \_\_\_\_\_" (high) pre-charged steel expansion tank with heavy-duty butyl bladder. The tank shall have multiple water-side connections to eliminate stagnant water within the tank, a 0.302"-32 charging valve connection (standard tire valve) to facilitate the on-site charging of the tank to meet system requirements, a pressure gauge, and Wessview® bladder integrity monitor. The tank must be constructed in accordance with most recent addendum of Section VIII Division 1 of the ASME Boiler and Pressure Vessel Code and be rated for 125 PSIG.

Each tank shall be )OHFRQmodel number 67-&5\_\_\_\_\_ or approved equal.



SXHT 35-CR and SXHT 50-CR



SXHT 85-CR thru SXHT 800L-CR

### Dimensions & Weights

Model Number	Dimensions in Inches							Approx. Ship Wt. (lbs)
	A	B	System Connection		Charging Valve	F	G	
			C	D	E			
NLA-35	12	23 1/2	-			10	-	40
NLA-50	14	24				50		
NLA-85	16	37	1 NPT			12	5 1/2	90
NLA-130	20					125		
NLA-200	24	43		3/4 NPT	0.302" - 32NC	20		210
NLA-300		55						225
NLA-400	30	49	1 1/2 NPT			24	5 1/4	300
NLA-500		57						335
NLA-600		65						360
NLA-800L		76						475

### Notes

- Tanks are factory pre-charged at 40 psi and field adjustable.
- California code-sight glass is available upon request.
- Both top and bottom connections (C and D) access the bladder.
- Available with mounting clips.