



## HTX and SXHT, the ultimate hydronic expansion tanks, to help expand your business.

FLEX 2 PRO HTX and SXHT series are designed to relieve pressure build-up in forced hot water heating systems.

Both tank lines' diaphragms are oversized, which maximizes drawdown and minimizes wear. Additionally, packages including tank, air scoop, and vent for added installer convenience, and hydronic accessory items including a fill valve, are also available.

HTX and SXHT, when it comes to the ultimate pressure relief tank, this is the one that has all the features your customers want!



16 - gauge solid steel tank, finished with highest quality urethane paint to stand up to the dampest basement or crawl space.

**CAD-2** CAD-2 diaphragm technology: strong, 100% butyl diaphragm and copolymer polypropylene lower water chamber for maximum water and air separation.

Stainless steel nipples designed to stand up to the harshest elements.



Condensation-reducing design virtually eliminates external corrosion.

Copolymer polypropylene base is engineered to withstand maximum loads and extreme environmental conditions.





# HTX & SXHT SERIES

## Hydronic Expansion Tanks

### MATERIALS OF CONSTRUCTION

- **Tank:** 16-gauge cold rolled steel
- **Finish:** Appliance-quality paint for corrosion resistance
- **Water chambers SXHT:** Top diaphragm is 100% butyl rubber, lower water chamber is anti-microbial, copolymer polypropylene
- **Diaphragm material HTX:** 100% butyl rubber
- **Connection:** Welded steel
- **Air valve:** Brass valve with O-ring seal
- **Testing:** High pressure, seam weld, helium, final precharge check
- **Warranty:** 5 year



### DIMENSIONS & CAPACITIES

Model	Capacity Gallons	Maximum Acceptance Volume	A B			C
			Height	Diameter	Weight (lbs)	
HTX 15	2.1	1.0	12.5	8.0	5.5	1/2" MNPT
HTX 30	4.5	2.5	14.0	11.0	10.0	1/2" MNPT
HTX 60	6.0	3.0	17.2	11.4	11.5	1/2" MNPT
HTX 90	15.0	6.0	20.8	16.0	28.0	3/4" MNPT
SXHT 30	15.0	6.0	21.7	16.0	32.0	1" FNPT
SXHT 40	20.0	8.0	28.8	16.0	39.0	1" FNPT
SXHT 60	33.0	13.3	42.8	16.0	57.0	1" FNPT
SXHT 90	44.0	17.7	36.2	21.0	72.0	1 1/4" FNPT
SXHT 110	62.0	24.9	47.9	21.0	112.0	1 1/4" FNPT
SXHT 160	81.0	32.6	62.0	21.0	123.0	1 1/4" FNPT

Maximum working pressure 100 PSI. Factory pre-charge 12 PSI.  
Maximum working temperature 240° F.

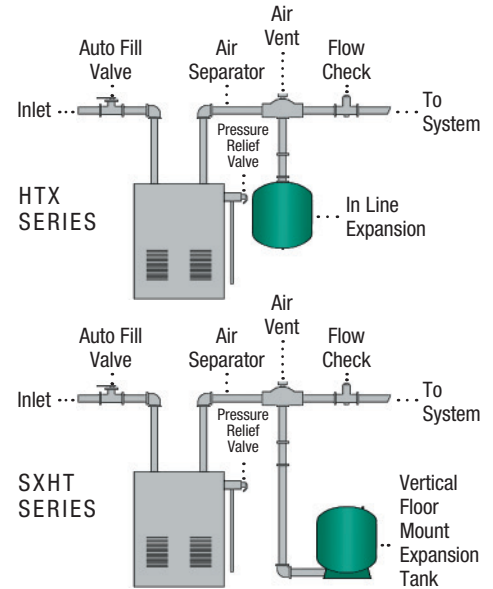
### QUICK SIZING CHART

Boiler Output 1000's BTUH	Finned Tube Baseboard (Copper)	Type of Radiation		
		Convectors & Unit Htrs	Cast Iron	
			Radiators	Baseboard
25	HTX 15	HTX 15	HTX 15	HTX 15
50	HTX 15	HTX 30	HTX 30	HTX 30
75	HTX 30	HTX 30	HTX 60	HTX 60
100	HTX 30	HTX 30	HTX 60	HTX 60
125	HTX 30	HTX 60	HTX 60	HTX 60
150	HTX 30	HTX 60	HTX 90	HTX 90
175	HTX 60	HTX 60	HTX 90	HTX 90
200	HTX 60	HTX 60	HTX 90	HTX 90
250	SXHT 30	SXHT 30	SXHT 40	SXHT 30
300	SXHT 30	SXHT 40	SXHT 40	SXHT 30
350	SXHT 30	SXHT 40	SXHT 60	SXHT 40
400	SXHT 30	SXHT 60	SXHT 90	SXHT 40
500	SXHT 40	SXHT 60	SXHT 90	SXHT 40
600	SXHT 40	SXHT 90	SXHT 90	SXHT 60
700	SXHT 60	SXHT 90	SXHT 90	SXHT 60
800	SXHT 60	SXHT 110	SXHT 110	SXHT 90
900	SXHT 60	SXHT 110	SXHT 110	SXHT 90
1000	SXHT 90	SXHT 110	SXHT 110	SXHT 90

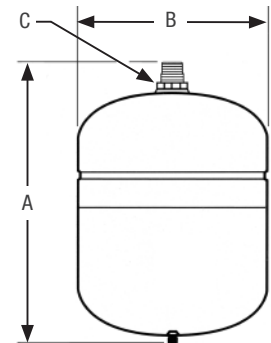
Max Temp 180°, Max Pressure 100 psi



### TYPICAL INSTALLATIONS



### HTX SERIES



### SXHT SERIES

