



SUBMITTAL

WR-SERIES

HYDRO-PNEUMATIC TANK

Models: WR410-A thru WR500-A
Submittal Sheet No. _____

Date: 4/20

Job Name _____	Submitted By _____	Date _____
Location _____	Approved By _____	Date _____
_____	Order No. _____	Date _____
Engineer _____	Notes _____	
Contractor _____	_____	
Sales Rep. _____	_____	

Description

Flexcon type WR tanks are ASME fixed diaphragm type pre-charged hydro-pneumatic tanks for commercial and industrial well and water systems, booster systems, or other potable water applications. They are designed to deliver water under pressure between pump cycles to provide sufficient flow to meet demands. The water is contained in a butyl diaphragm. All WR tanks can be installed vertically or horizontally.

Construction:

Shell: Carbon Steel
 Heads: Carbon Steel
 Exterior: Carbocoat 140 - Harvester Red
 Bladder: Heavy Duty Butyl; FDA Approved, ANSI/NSF 61 Listed
 System Connection: Stainless Steel

Design Parameters:

Maximum Design Pressure: 200 PSIG*
 Temperature Range: -20°F to 240°F
 *250 PSIG available

Model Number	Wessels Model	Tank Volume (Gal/L)	Acceptance Volume (Gal/L)	Tagging Information	Quantity
WR 410-A	FXT-401	15/57	11.9/45		
WR 420-A	FXT-402	25/95	19.8/75		
WR 430-A	FXT-403	35/133	27.5/104		
WR 440-A	FXT-404	70/265	55.5/210		
WR 450-A	FXT-405	90/341	71/269		

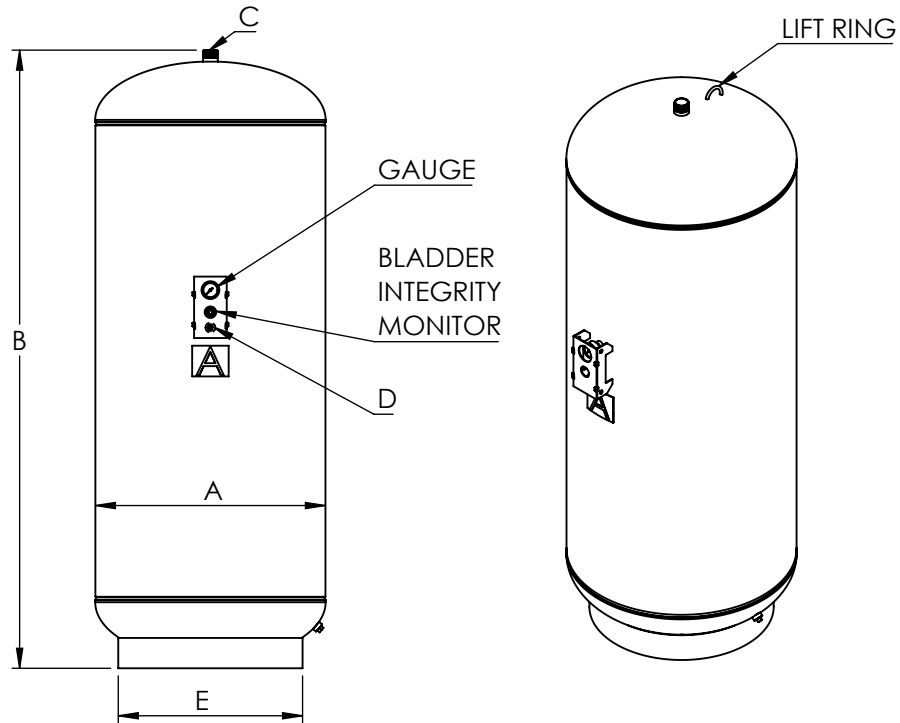


Listed
Material

Typical Specification

Furnish and install, as shown on plans, a _____ gallon _____" diameter X _____" (high) pre-charged steel hydro-pneumatic tank with a fixed heavy-duty butyl diaphragm. The tank shall be equipped with a NPT system connection and a 0.302"-32 charging valve connection (standard tire valve) to facilitate the on-site charging of the tank to meet system requirements. The tank must be constructed in accordance with most recent addendum of Section VIII Division 1 of the ASME Boiler and Pressure Vessel Code.

Each tank shall be Flexcon model number WR _____-A or approved equal.



WR-410-A thru WR-450-A

Dimensions & Weights

Model Number	Wessels Model	A (inches/mm)	B (inches/mm)	System Connection C (inches/mm)	Charging Valve D	E (inches/mm)	Approx. Ship Wt. (lbs/kgs)
WR 410-A	FXT-401	16/406	25/635	1 / 25	.302"-32NC	14/356	54/24
WR 420-A	FXT-402	16/406	33/838	1 / 25	.302"-32NC	14/356	69/31
WR 430-A	FXT-403	16/406	45/1143	1 / 25	.302"-32NC	14/356	93/42
WR 440-A	FXT-404	24/610	47/1193	1 ¼ / 32	.302"-32NC	20/508	206/93
WR 450-A	FXT-405	24/610	53/1346	1 ¼ / 32	.302"-32NC	20/508	228/103

Notes

- Tanks are factory pre-charged at 30 psi/206.8 kpa and field adjustable.
- Lifting rings on models WR 420-A through WR 450-A.
- Available with mounting clips.
- Sight glass available.