



SUBMITTAL

WR-SERIES
HYDRO-PNEUMATIC TANKS

Models: WR 530-A thru WR 570-A
 Submittal Sheet No. _____

Date: 4/20

Job Name _____	Submitted By _____	Date _____
Location _____	Approved By _____	Date _____
_____	Order No. _____	Date _____
Engineer _____	Notes _____	
Contractor _____	_____	
Sales Rep. _____	_____	

Description

Flexcon type WR tanks are ASME replaceable bladder type pre-charged hydro-pneumatic tanks for commercial and industrial well and water systems, booster systems, or other potable water applications. They are designed to deliver water under pressure between pump cycles to provide sufficient flow to meet demands. The water is contained in a butyl bladder. All WR hydro-pneumatic tanks can be installed vertically or horizontally.

Construction

Shell: Carbon Steel
 Heads: Carbon Steel
 Exterior: Carbocoat 140-Harvester Red
 Bladder: Heavy Duty butyl, FDA approved, NSF 61 listed

Performance Limitations

Maximum Design Temperature: 240°F / 115.6 C
 Maximum Design Pressure: 125 PSIG* / 862 kpa
 Pressures Available: 150PSI 200PSI 250PSI

Model Number	Wessels Model	Tank Volume (Gal/L)	Tagging Information	Quantity
WR 530-A	FXA-1000	264/998		
WR 540-A	FXA-1200	317/1198		
WR 550-A	FXA-1400	370/1399		
WR 560-A	FXA-1600	422/1595		
WR 570-A	FXA-2000	528/1996		

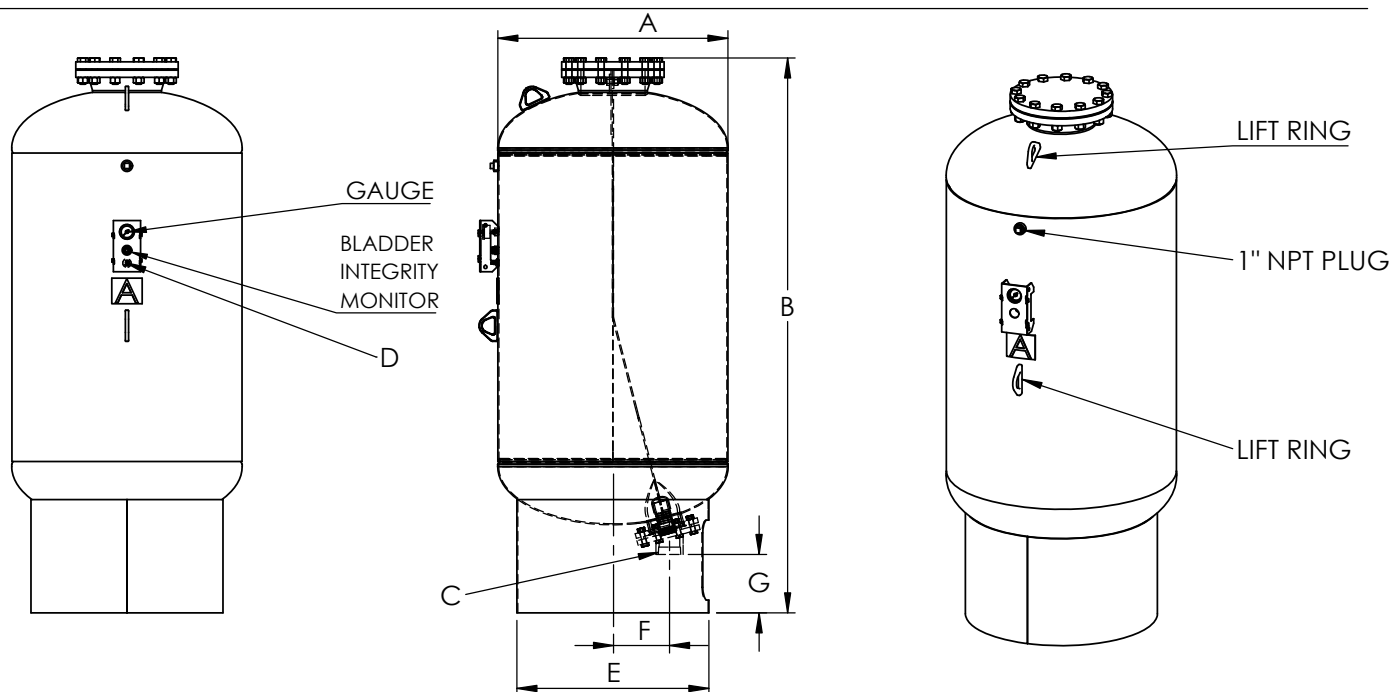


61
Listed

Typical Specification

Furnish and install, as shown on plans, a _____ gallon _____" diameter X _____" (high) pre-charged steel water well & pressure booster expansion tank with replaceable heavy-duty butyl bladder. The tank shall have NPT epoxy lined system connections and a 0.302"-32 charging valve connection (standard tire valve) to facilitate the on-site charging of the tank to meet system requirements, a pressure gauge, and bladder integrity monitor. The tank must be constructed in accordance with most recent addendum of Section VIII Division 1 of the ASME Boiler and Pressure Vessel Code. Products comply with NSF/ANSI Standard 61.

Each tank shall be Flexcon model number WR _____-A or approved equal.



WR 530-A thru WR 570-A

Dimensions & Weights

Model Number	Wessels Model	A (in/mm)	B (in/mm)	System Conn. C (in/mm)	System Conn. D	E (in/mm)	F (in/mm)	G (in/mm)	Approx. Ship Wt. (lbs/kgs)
WR 530-A	FXA-1000	36/915	87/2210	3/76	.302"-32NC	30/762	8/203	8 ½ / 216	735/333
WR 540-A	FXA-2000	36/915	98 ½ / 2490	3/76	.302"-32NC	30/762	8/203	8 ½ / 216	745/337
WR 550-A	FXA-1400	36/915	110 ½ / 2819	3/76	.302"-32NC	30/762	8/203	8 ½ / 216	900/408
WR 560-A	FXA-1600	48/1219	84/2134	3/76	.302"-32NC	42/1066	9/229	8 ¾ / 223	1210/549
WR 570-A	FXA-2000	48/1219	96/2464	3/76	.302"-32NC	42/1066	9/229	8 ¾ / 223	1305/592

Notes

- Tanks are factory pre-charged at 40 psi / 206 kpa and field adjustable.
- California code-sight glass is available upon request.
- Tanks installed horizontally must have the system connection below the horizontal centerline of the tank.
- Available with mounting clips.