



Mixes water like nobody's business!

Flexcon's MIXMASTER baffle tank is one of the most effective High Mixing Disinfection Systems currently available. **We've added a second baffle chamber to increase mixing and retention time.** It ensures uniform mixing and sufficient residence time to meet the CT (contact time) standard set by most health agencies in the United States.



Water exits through stainless steel reinforced water connection.

30% higher baffle factor* means fewer tanks to maintain 4 log treatment and 20 minute contact time.

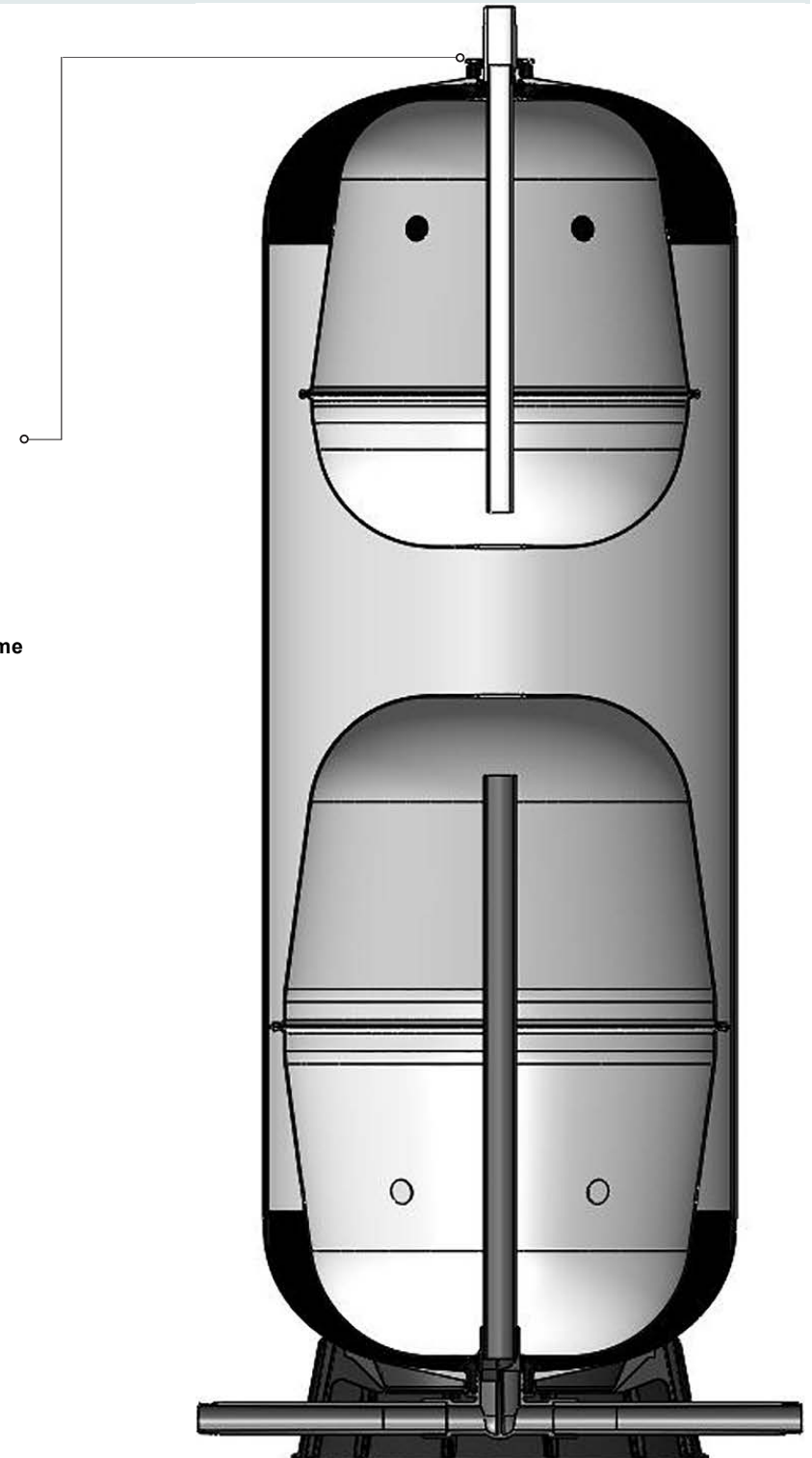
We've added a second mixing chamber to increase retention time in the tank and to reduce the possibility of any possible "short cycling".

New anti-microbial baffle design ensures uniform mixing and exceeds health agency contact time standards. Turbulent water exits diffuser cap at top of standpipe beginning the first stage of mixing process.

Stainless steel fasteners join upper & lower water chamber parts on both the top & bottom chambers.

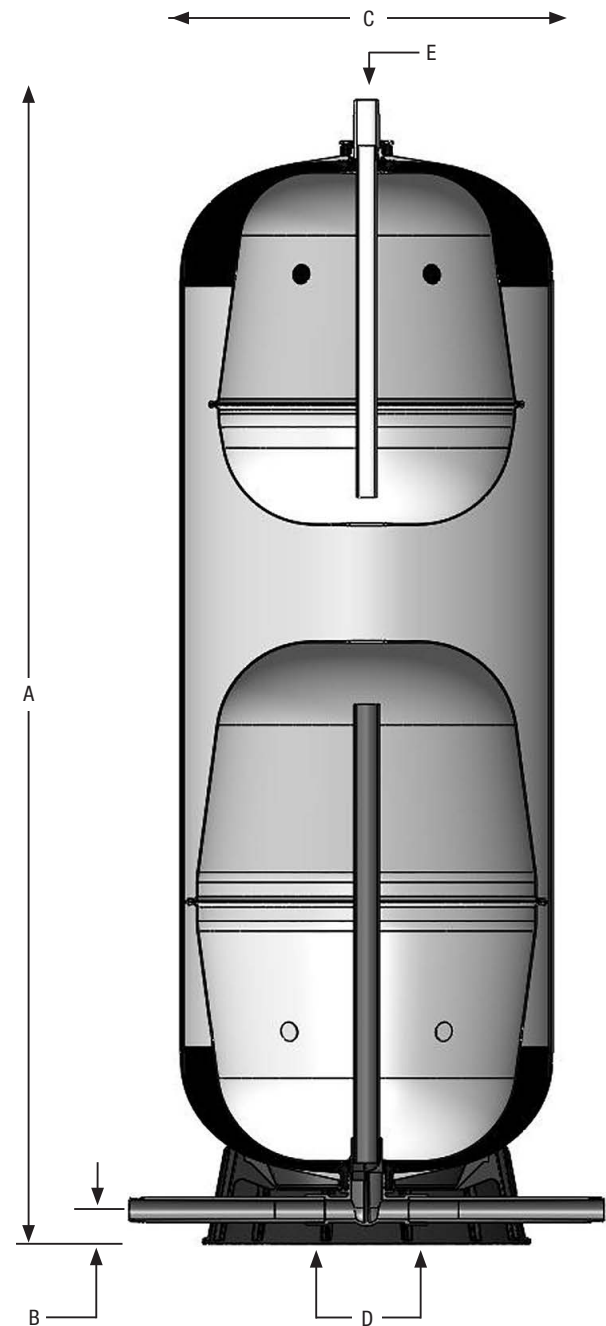
Holes in upper and lower water chamber allow partially mixed water to enter outer chamber.

Bottom T allows for purging of sediment.



MIXMASTER**BAFFLE**
Utility Tank**MATERIALS OF CONSTRUCTION**

- **Top and bottom domes:** Injection molded copolymer polypropylene
- **Shell:** Extruded copolymer polypropylene
- **Outer shell:** High strength, fiberglass-wound, epoxy resin coated
- **Base:** Injection molded, high-impact ABS
- **Connection:** Rigid schedule 80 PVC
- **Top port fitting:** Stainless steel reinforced, glass filled polypropylene insert molded into the top dome
- **Inner baffles:** Anti-microbial, copolymer polypropylene
- **Inner standpipe:** Schedule 40 PVC with diffuser cap
- **Testing:** High pressure, submersed leak test
- **Warranty:** 5 year limited

**COMPOSITE BAF TANK DIMENSIONS**

Model	Total Tank Volume		A Height		B Floor to CL		C Diameter		D (EZ) Threaded connection	E FPT	Total Weight	
	gal	liters	in	cm	in	cm	in	cm			lbs	kg
HPB 120	119	450	72.1	183.1	2.25	5.7	24.0	61.4	1 1/4" npt	1 1/4"	83.5	38.0

Maximum working pressure 100 psig. Maximum working temperature, internal & external 120° F.



FLEXCON
INDUSTRIES
A Swan Group Company

