



# High-end-features, at a competitive price.

Equipped with many of the high-end features found in our premium tanks at a super low price, this is our ultimate act of defiance!

In short, you get unmatched performance and superior air and water separation at a price that can't be beat!



16 - gauge solid steel tank, finished with highest quality urethane paint to stand up to the dampest basement or crawl space.

Water chamber is independent of tank walls, allowing diaphragms to be sized properly for each tank.



CAD-2 diaphragm technology: strong, 100% butyl diaphragm and copolymer polypropylene lower water chamber for maximum water and air separation.

Steel clench ring regulates movement and prevents diaphragm from rubbing against tank wall.

Condensation-reducing design virtually eliminates external corrosion.



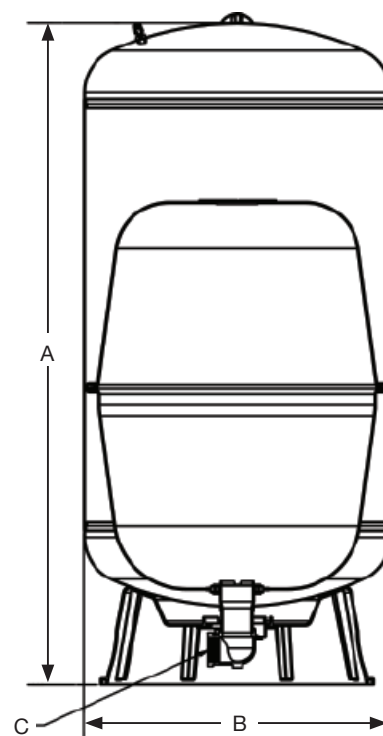
Patented, welded, stainless steel water connection has separate air and water seals.





## MATERIALS OF CONSTRUCTION

- **Tank:** 16-gauge cold rolled steel
- **Finish:** Appliance-quality paint for indoor or outdoor installation
- **Water chambers:** Top diaphragm is 100% butyl rubber, lower water chamber is copolymer polypropylene
- **Connection:** Welded stainless steel NPT thread
- **Air valve:** Brass valve with O-ring seal
- **Testing:** High pressure, seam weld, helium, final precharge check
- **Warranty:** 5 year



## DIMENSIONS & CAPACITIES

Model	Total Tank Volume		A Height		B Diameter		C Connection	Total Weight	
	gal	liters	in	cm	in	cm		lbs	kilos
DEF20	20	80	29.42	74.73	16	40.64	1" NPT	36.0	16.3
DEF30	32	120	29.00	74.07	21	53.34	1 1/4" NPT	53.5	18.6
DEF33	33.4	130	43.00	110.28	16	40.64	1 NPT	49.5	22.5
DEF44	44	170	37.39	94.97	21	53.34	1 1/4" NPT	67.0	30.4
DEF62	62	240	48.10	122.19	21	53.34	1 1/4" NPT	82.0	37.2
DEF82	81	310	59.40	150.89	21	53.34	1 1/4" NPT	99.0	44.9
DEF85	85	325	45.45	115.44	26	66.04	1 1/4" NPT	121.0	54.9
DEF120	119	450	60.52	153.72	26	66.04	1 1/4" NPT	153.0	69.5

Maximum working pressure 125 psig. Maximum working temperature, internal & external 140° F. Tank pre-charge 38 psig.

## QUICK SIZING CHART

Model	Total Tank Volume		Total Drawdown*					
	gal	liters	20/40		30/50		40/60	
	gal	liters	gal	liters	gal	liters	gal	liters
DEF20	20	80	8.1	30.5	6.8	25.8	5.9	22.3
DEF30	32	120	12.9	48.8	10.9	41.3	9.4	35.7
DEF33	33.4	130	13.3	50.3	11.3	42.6	9.7	36.8
DEF44	44	170	17.7	67.1	15.0	56.8	13.0	49.1
DEF62	62	240	25.0	94.6	21.1	80.0	18.3	69.2
DEF82	81	310	32.6	123.6	27.6	104.5	23.9	90.4
DEF85	85	325	34.3	129.7	29.0	109.7	25.1	94.9
DEF120	119	450	48.0	181.5	40.6	153.6	35.1	132.9

\*Total drawdown assumes tank pre-charge set at 2 psi below cut-in pressure. Drawdown can be affected by many factors, including temperature, pressure, and elevation.

