



Bar none, this is the worlds toughest well tank!

Outdoor installations demand a tank that can withstand intense UV exposure, rain and everything else nature has to offer.

Sealed with 8-10 mils of high mastic (solids) epoxy coating, and a two-part urethane finish, WR PLUS series has the best salt spray and UV characteristics available on the market.



16 - gauge solid steel tank, with 8-10 mil high mastic (solids) epoxy coating, and a two-part urethane finish.

Water chamber is independent of tank walls, allowing diaphragms to be sized properly for each tank.

CAD-2

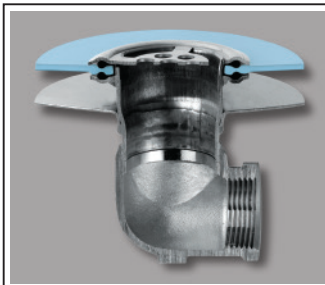
CAD-2 diaphragm technology: strong, 100% butyl diaphragm and copolymer polypropylene lower water chamber for maximum water and air separation.

Steel clench ring regulates movement and prevents diaphragm from rubbing against tank wall.

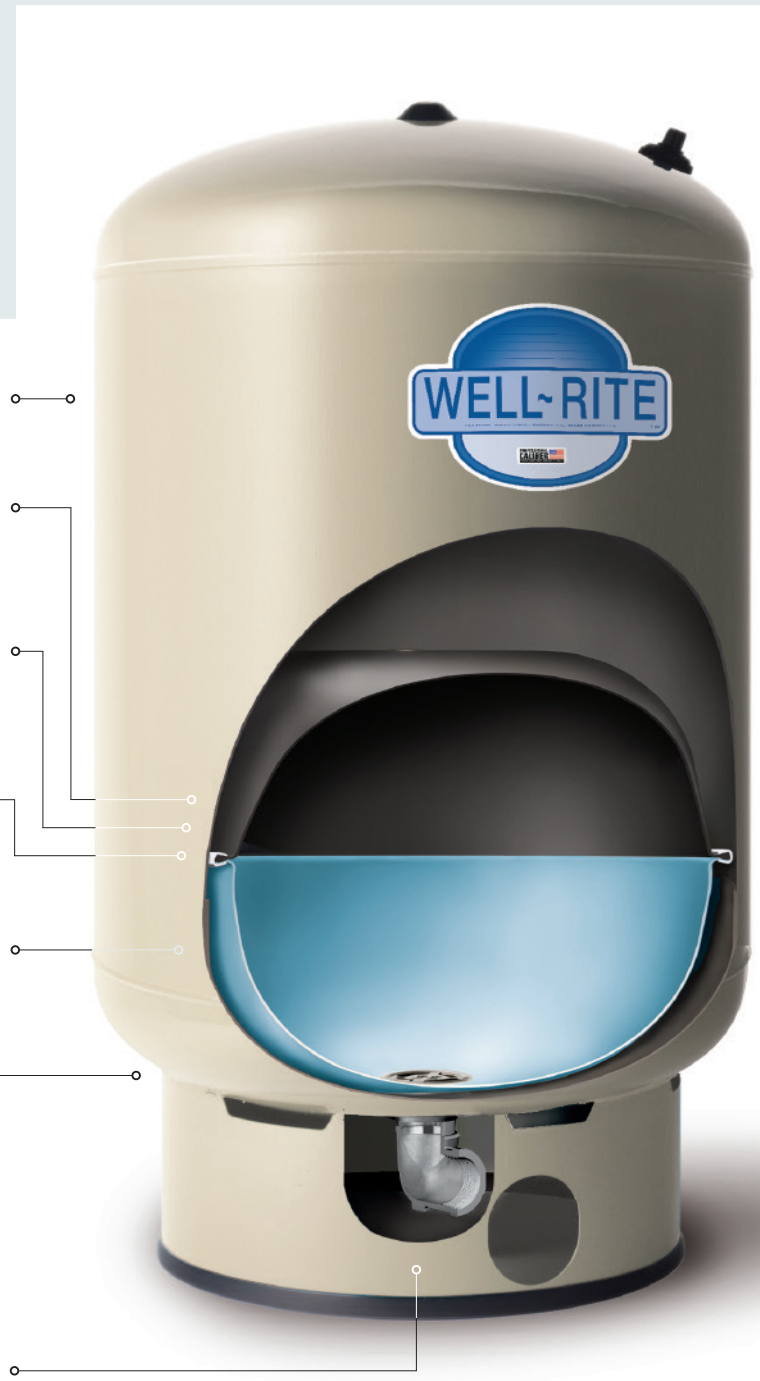


Every Flexcon CAD-2 tank has a silver-ion-infused antimicrobial liner to help eliminate possible water born health hazards.

Condensation-reducing design virtually eliminates external corrosion.



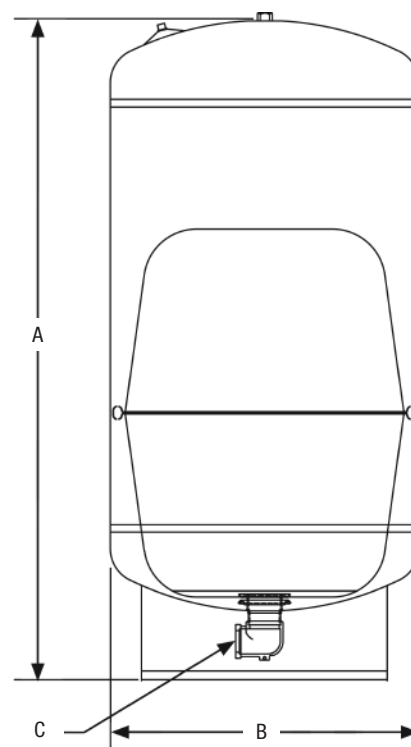
Patented, welded, stainless steel water connection has separate air and water seals.





WR OUTDOOR SERIES

Well Tank



MATERIALS OF CONSTRUCTION

- **Tank:** 16-gauge cold rolled steel
- **Finish:** 8-10 mil high mastic (solids) epoxy coating, and a two-part urethane finish
- **Water chambers:** Top diaphragm is 100% butyl rubber, lower water chamber is anti-microbial, copolymer polypropylene
- **Connection:** Stainless steel
- **Air valve:** Brass valve with O-ring seal
- **Testing:** High pressure, seam weld, helium, final precharge check
- **Warranty:** 5 year

DIMENSIONS & CAPACITIES

Model	Total Tank Volume		A Height		B Diameter		C Connection	Total Weight	
	gal	liters	in	cm	in	cm		lbs	kilos
WR 60 PLUS	20	80	29	73.66	16	40.64	1" NPT	28.0	16.3
WR 100 PLUS	32	120	27.75	70.48	21	53.34	1 1/4" NPT	54.0	24.5
WR 120 PLUS	33.4	130	42.75	108.58	16	40.64	1 NPT	49.0	22.2
WR 140 PLUS	44	170	36.25	92.07	21	53.34	1 1/4" NPT	67.0	30.4
WR 200 PLUS	62	240	48	121.92	21	53.34	1 1/4" NPT	82.0	37.2
WR 240 PLUS	81	310	62	157.48	21	53.34	1 1/4" NPT	99.0	44.9
WR 260 PLUS	85	325	44.5	113.03	26	66.04	1 1/4" NPT	121.0	54.9
WR 360 PLUS	119	450	59.75	151.76	26	66.04	1 1/4" NPT	153.0	69.5

Maximum working pressure 125 psig. Maximum working temperature, internal & external 140° F. Tank pre-charge 38 psig.

QUICK SIZING CHART

Model	Total Tank Volume		Total Drawdown*					
	gal	liters	20/40		30/50		40/60	
	gal	liters	gal	liters	gal	liters	gal	liters
WR 60 PLUS	20	80	8.1	30.5	6.8	25.8	5.9	22.3
WR 100 PLUS	32	120	12.9	48.8	10.9	41.3	9.4	35.7
WR 120 PLUS	33.4	130	13.3	50.3	11.3	42.6	9.7	36.8
WR 140 PLUS	44	170	17.7	67.1	15.0	56.8	13.0	49.1
WR 200 PLUS	62	240	25.0	94.6	21.1	80.0	18.3	69.2
WR 240 PLUS	81	310	32.6	123.6	27.6	104.5	23.9	90.4
WR 260 PLUS	85	325	34.3	129.7	29.0	109.7	25.1	94.9
WR 360 PLUS	119	450	48.0	181.5	40.6	153.6	35.1	132.9

*Total drawdown assumes tank pre-charge set at 2 psi below cut-in pressure. Drawdown can be affected by many factors, including temperature, pressure, and elevation.

