



SUBMITTAL

FTXA-C-FF SERIES
THERMAL EXPANSION TANKS

Models: FTXA 85-C-FF thru FTXA 800L-C-FF

Date: 4/20

Job Name _____	Submitted By _____	Date _____
Location _____	Approved By _____	Date _____
_____	Order No. _____	Date _____
Engineer _____	Notes _____	
Contractor _____	_____	
Sales Rep. _____	_____	

Description

Flexcon type FTXA-C-FF tanks are ASME replaceable bladder type pre-charged thermal expansion tanks for commercial and industrial potable hot water applications. The FTXA-C-FF is designed as a multi-functional bladder tank for controlling system pressure in Thermal Expansion, Hydronic Expansion, and Hydro-Pneumatic applications. The FTXA-C-FF design incorporates a unique flow-through design that promotes fluid mixing. Mixing of the fluid inside the bladder tank disrupts stagnant water, preventing growth of potentially harmful bacteria colonies. The water is contained in a heavy-duty butyl bladder, preventing tank corrosion and waterlogging.

Construction

Shell: Carbon Steel
 Heads: Carbon Steel
 System Connections: Stainless Steel
 Bladder: Heavy-duty Butyl (FDA Approved)
 Products comply with NSF/ANSI Standard 61

Performance Limitations

Maximum Design Temperature: -20° F-240°F
 Maximum Design Pressure: 150 PSIG*

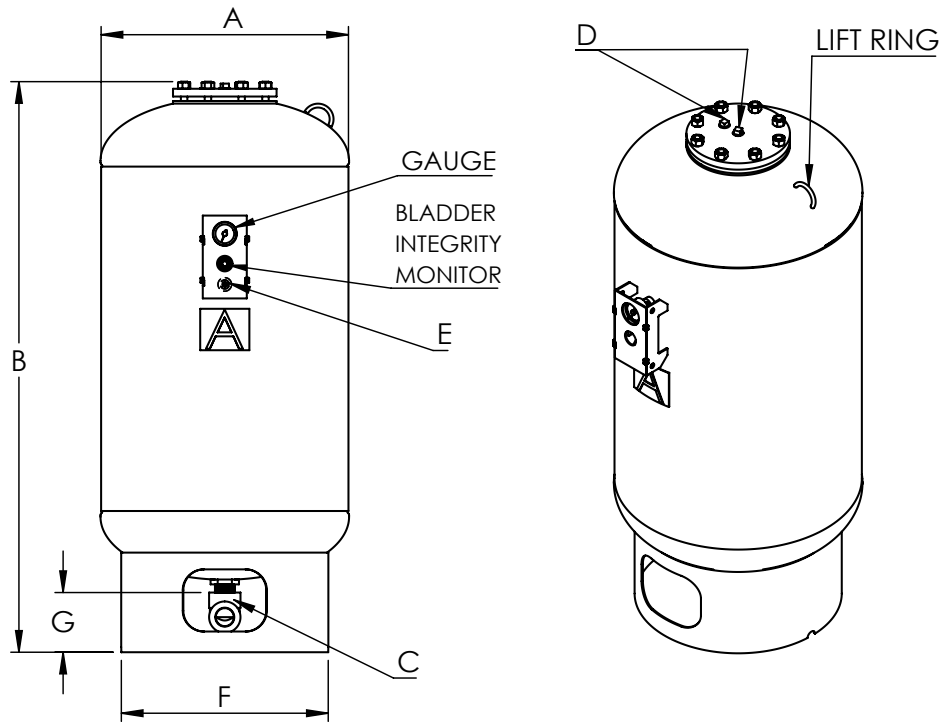
*200 & 250 PSIG available

Model	Wessels Model	Part Number	Tank Volume		Tagging Information	Quantity
			(Gal)	(L)		
FTXA 85-C-FF	TXA-85-FF	20110085	23	87		
FTXA 130-C-FF	TXA-130-FF	20110130	35	132		
FTXA 200-C-FF	TXA-200-FF	20110200	53	200		
FTXA 300-C-FF	TXA-300-FF	20110300	79	299		
FTXA 400-C-FF	TXA-400-FF	20110400	106	401		
FTXA 500-C-FF	TXA-500-FF	20110500	132	499		
FTXA600-C-FF	TXA-600-FF	20110600	158	597		
FTXA 800L-C-FF	TXA-800L-FF	20110805	211	798		

Typical Specification

Furnish and install, as shown on plans, a _____ gallon _____" diameter X _____" (high) pre-charged steel _____ tank. The tank is to incorporate a flow through design, eliminating water stagnation potential. The tank shall be equipped with NPT stainless steel system connections, and a 0.302"-32 charging valve connection (standard tire valve) to facilitate the on-site charging of the tank to meet system requirements. The tank shall be fitted with lifting rings and a floor mounting skirt for vertical installation. The tank must be constructed with most recent addendum of Section VIII of the ASME Boiler and Pressure Vessel Code and stamped for 150 psi.

Each tank shall be Flexcon model number FTXA _____-C-FF or approved equal.



FTXA 85-C-FF thru FTXA 800L-C-FF

Dimensions & Weights

Model	Wessels Model	A (in/mm)	B (in/mm)	System Connection C (in/mm)	D (in/mm)	Charging Valve E	F (in/mm)	G (in/mm)	Approx. Ship Wt. (lbs/kgs)
FTXA 85-C-FF	TXA-85-FF	16/406	37/940	1/25	1/25	.302"- 32NC	12/305	5 ½ / 138	90/41
FTXA 130-C-FF	TXA-130-FF	20/508	37/940	1/25	1/25		16/406	5 ½ / 138	125/57
FTXA 200-C-FF	TXA-200-FF	24/610	43/1092	1 ½ / 38	1 ½ / 38		20/508	5 ¼ / 133	210/95
FTXA 300-C-FF	TXA-300-FF	24/610	55/1397	1 ½ / 38	1 ½ / 38		20/508	5 ¼ / 133	225/102
FTXA 400-C-FF	TXA-400-FF	30/762	49/1245	1 ½ / 38	1 ½ / 38		24/610	5 ¼ / 133	300/136
FTXA 500-C-FF	TXA-500-FF	30/762	57/1448	2/51	2/51		24/610	4 ¾ / 121	335/152
FTXA 600-C-FF	TXA-600-FF	30/762	65/1651	2/51	2/51		24/610	4 ¾ / 121	360/163
FTXA 800L-C-FF	TXA-800L-FF	32/813	76/1930	2/51	2/51		28/711	4 ¾ / 121	475/215

Notes:

- Tanks are factory pre-charged at 40 psi and field adjustable.
- California code-sight glass is available upon request.
- Both top and bottom connections (C&D) access the bladder.
- Bottom connection C is intended to be used for main water supply connection. Top connection D can be used for auxiliary gauge, pressure switch, etc.
- Mounting clips available upon request.